

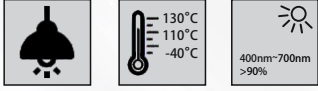
Features & Application

- ◆ High lighting efficiency
- ◆ Optimized for uniform effects
- ◆ Narrow Beam
- ◆ Stadium Lighting
- ◆ Surgical Light / Medical Light
- ◆ Glare Free
- ◆ Extremely luminous flux
- ◆ Soft wide beam with good illuminance uniformity
- ◆ Easy fixing system to the PCB
- ◆ Complying with UL94 Specifications
- ◆ UV protected

Table of Contents

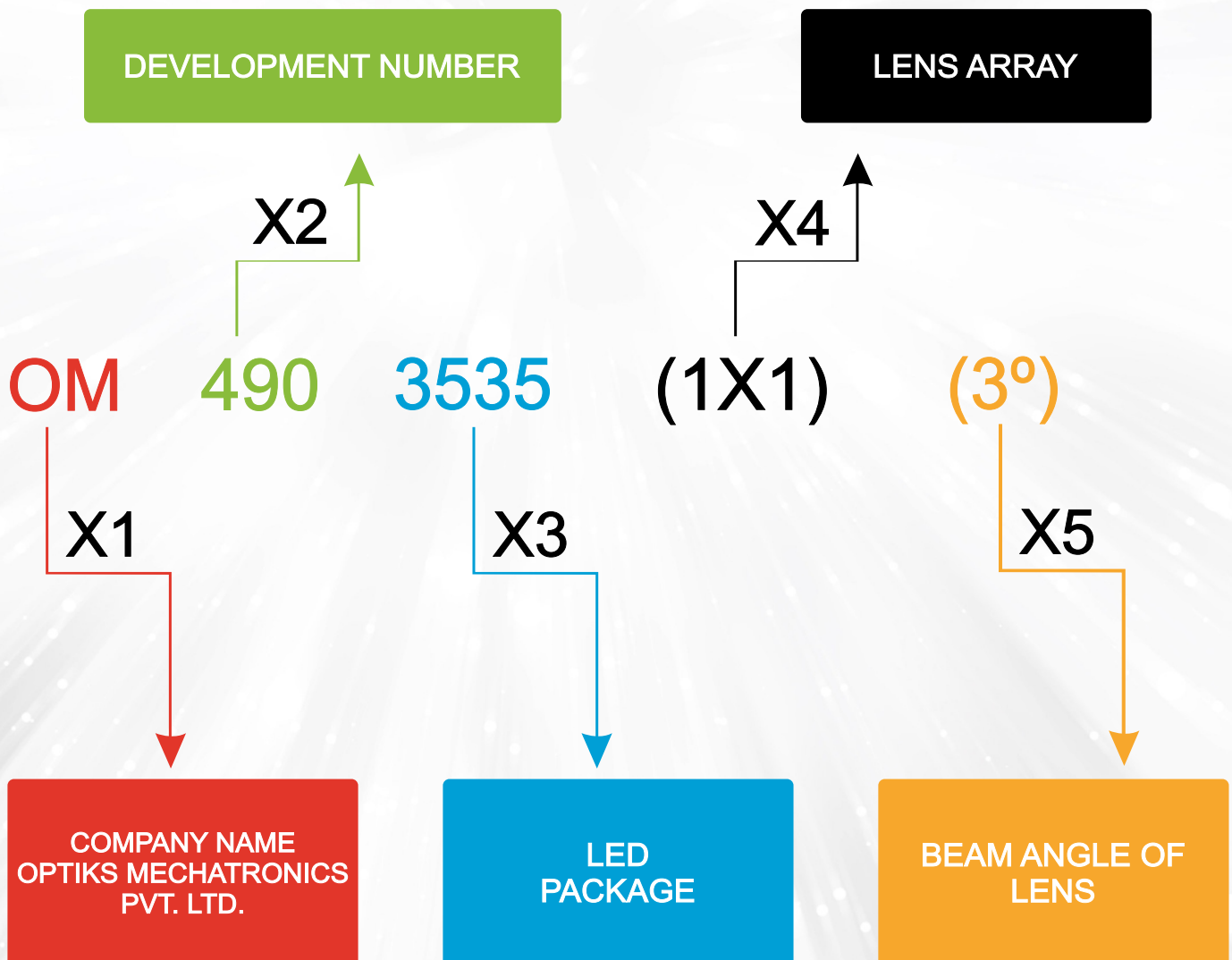
◆ General information & Product Nomenclature.....	P.2
◆ Material specification	P.3
◆ Optical specification	P.3
◆ Mechanical specification	P.4

GENERAL INFORMATION



- ◆ Narrow Beam Stadium Light Application.
- ◆ Operating Temperature range $-40^{\circ}\text{C} \sim +110^{\circ}\text{C}$ (upper limit $+130^{\circ}\text{C}$)
- ◆ Storage Temperature range $-40^{\circ}\text{C} \sim +110^{\circ}\text{C}$ (upper limit $+130^{\circ}\text{C}$)
- ◆ Average transmittance in visible spectrum $400\text{nm} \sim 700\text{nm} > 90\%$

PRODUCT NOMENCLATURE



MATERIAL SPECIFICATION

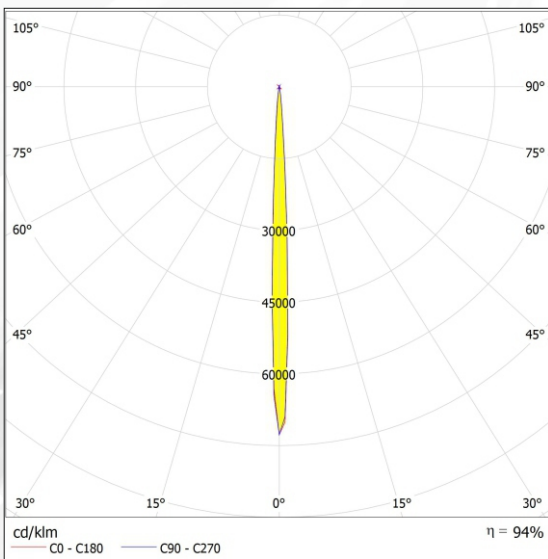


- ◆ Lens Material : Optical Grade PC (Bayer 2407)
- ◆ Luminous transmittance : 89 to 90% (ISO 13468-2/ASTM D1003)
- ◆ Refractive index : 1.584 (ISO 489/ASTM D542)
- ◆ Flammability : HB/V-0 (UI94)
- ◆ Colour : Clear

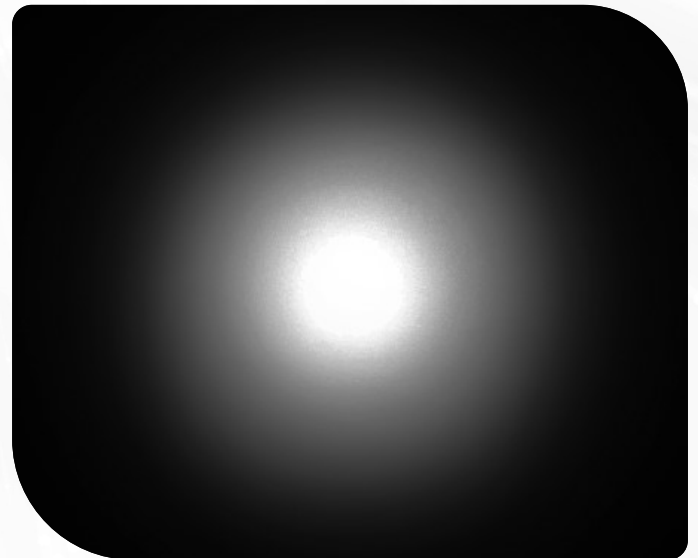
OPTICAL SPECIFICATION

Note: (1) All the results of analysis are based on 0 degrees of elevation.
(2) Tolerance: $\pm 10\%$.

Beam Angle



Beam Pattern

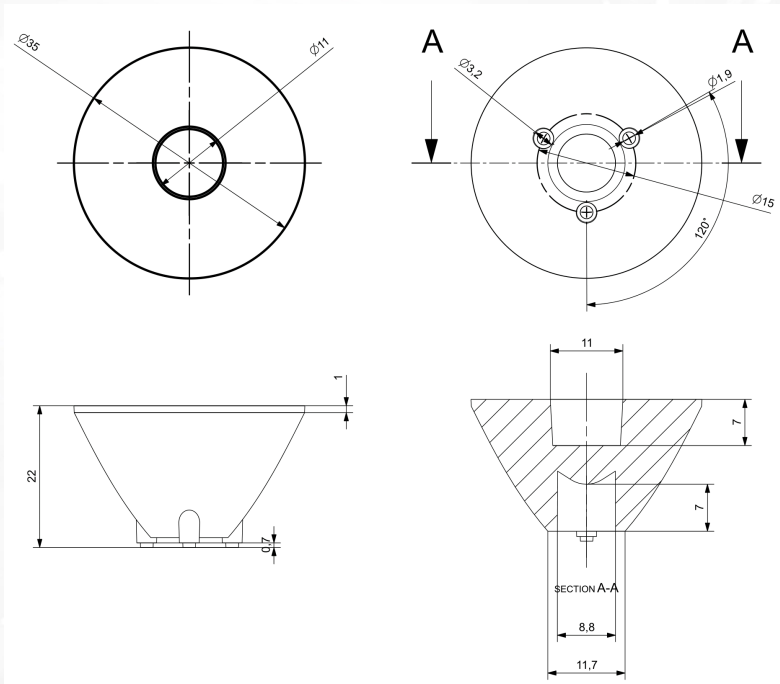


MECHANICAL SPECIFICATION

FASTENING

Glue
 Screw
 Tape
 Fixing-ring
 Frame

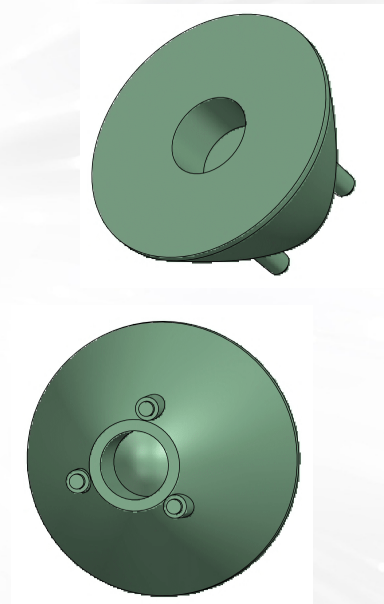
LENS DIMENSION



Note:

1. Unit measurement: mm
2. General tolerance: ± 0.2 mm
3. Protruding of the gate from the side surface: less than 0.3mm

LED+LENS ASSEMBLY INSTRUCTION



USAGE AND MAINTENANCE



1. If necessary, clean lenses with mild soap, water and soft cloth.
2. Never use any commercial cleaning solvents on lenses, like alcohol.
3. Please handle or install lenses with wearing gloves, skin oils may damage lens or its optical characteristic.